

MÆNSA PREMIUM COLLECTION

INSPIRED BY ELEGANCE OF NATURE

MÆNSA ZIBA persian glory

Designer: *Bucurariu I. Mircea*



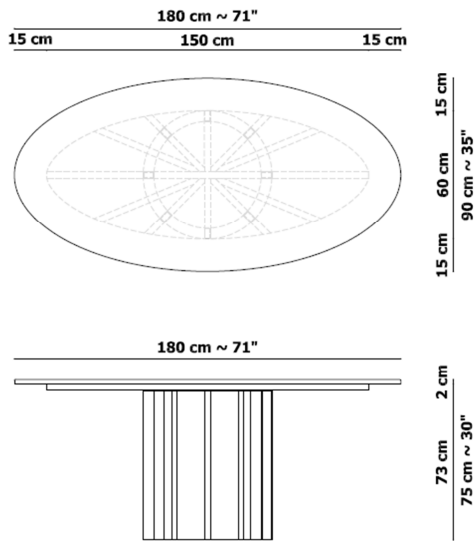
MÆNSA ZIBA persian glory is a high quality product. The top is made of Persian Tiger onyx, a material which with its sophisticated appearance and unique contrast, brings refinement to any room. This type of onyx originates from Iran and is characterized by the variety of colors, by combining red and gold tones with white and cream accents of microcrystalline quartz.



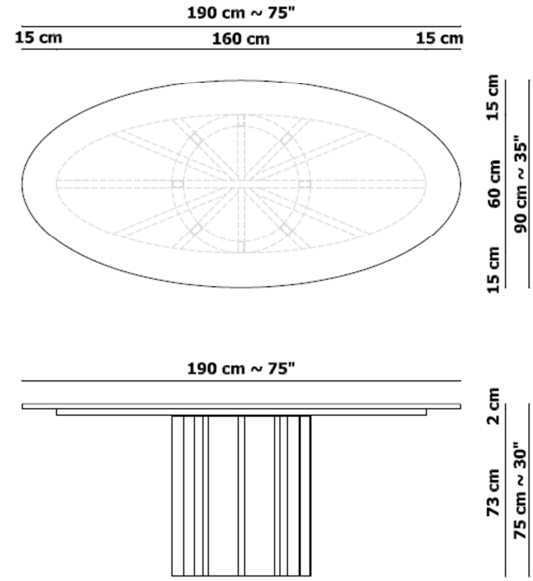
The shape of the top, the design of the metallic structure and the quality of the materials offer a balance, so the product can be integrated into any type of arrangement, contemporary or classic.



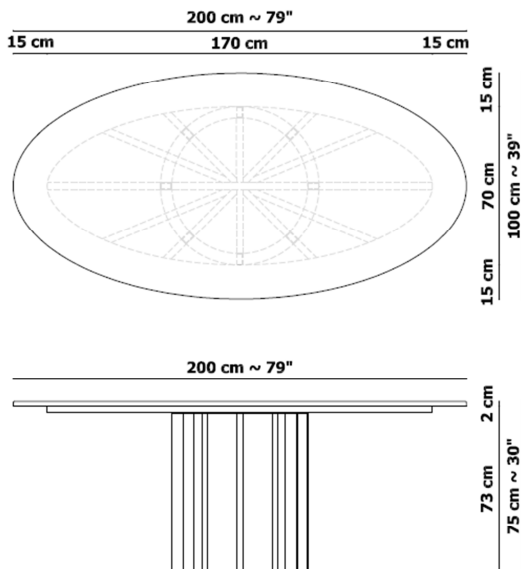
DATA SHEET



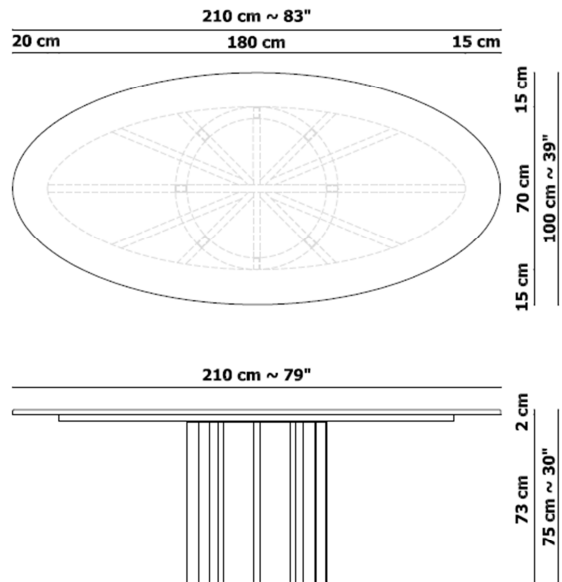
Width: 180 cm
Depth: 90 cm
Height: 75 cm



Width: 190 cm
Depth: 90 cm
Height: 75 cm



Width: 200 cm
Depth: 100 cm
Height: 75 cm



Width: 210 cm
Depth: 100 cm
Height: 75 cm

OPTION No.1:

TOP: ONYX PERSIAN TIGER POLISHED

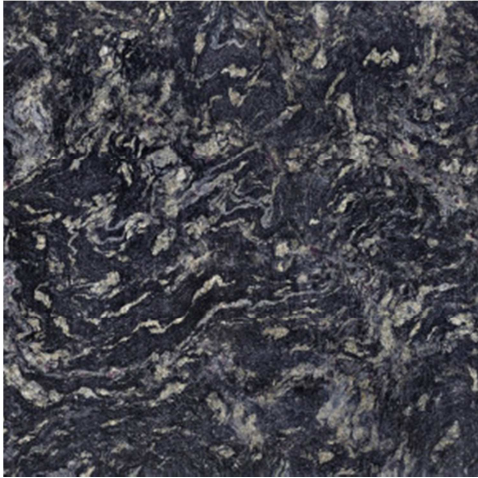


BASE COLOR: GRAPHITE BLACK MATTE- RAL 9011

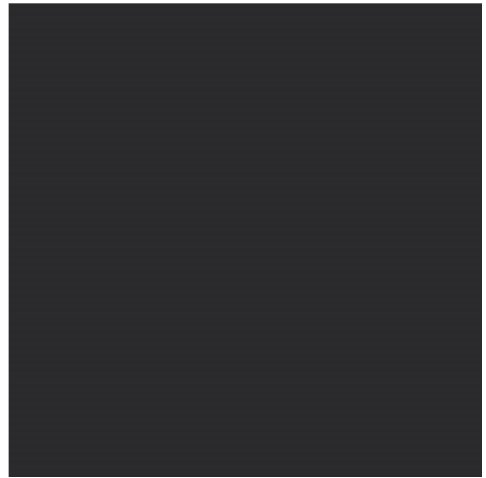


OPTION No.2:

TOP: GRANITE BLUE NIGHT POLISHED

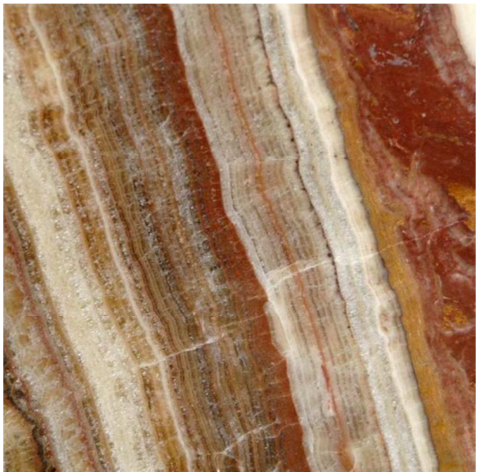


BASE COLOR: SIGNAL BLACK MATTE- RAL 9004



OPTION No.3:

TOP: ONYX FANTASTICO POLISHED



BASE COLOR: PEARL GOLD SATIN - RAL 1036



OPTION No.4:

TOP: MARBLE VERDE INDIA POLISHED



BASE COLOR: BLACK GREY GLOSS – RAL 7021

